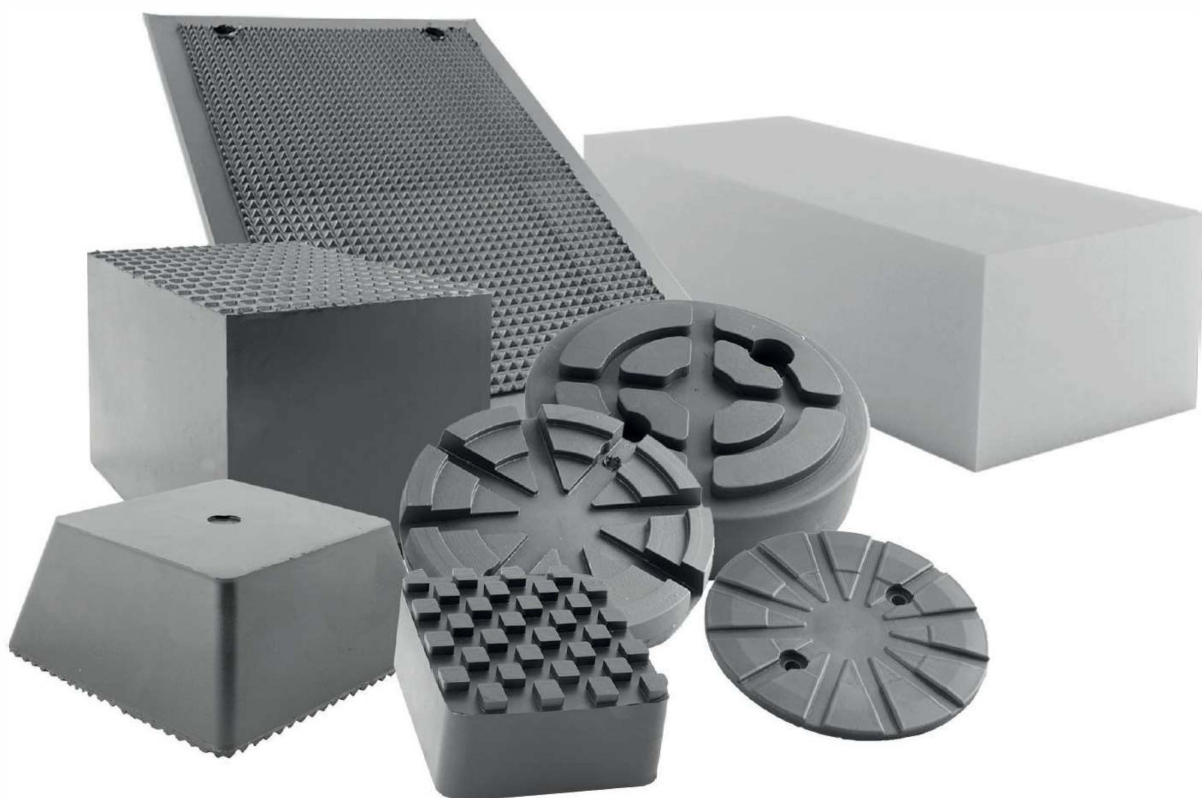




OVERLANDER

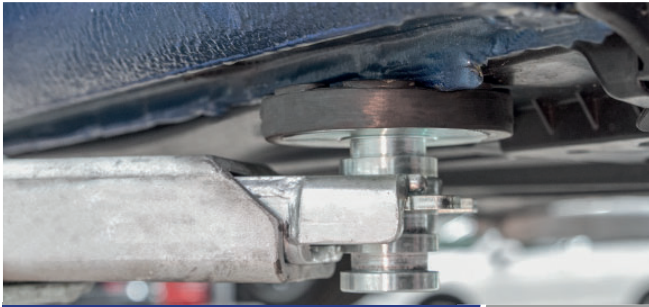
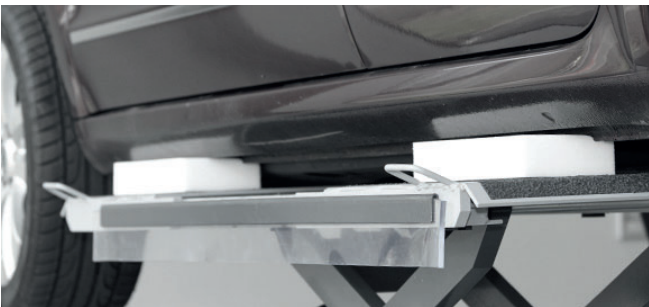
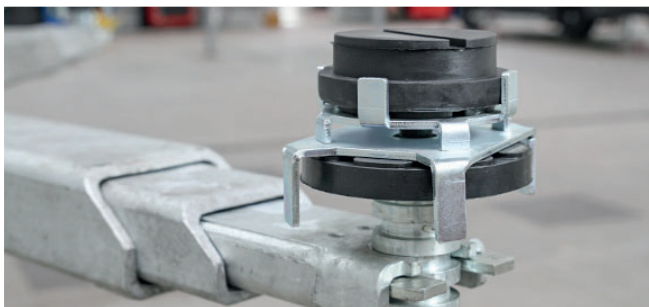
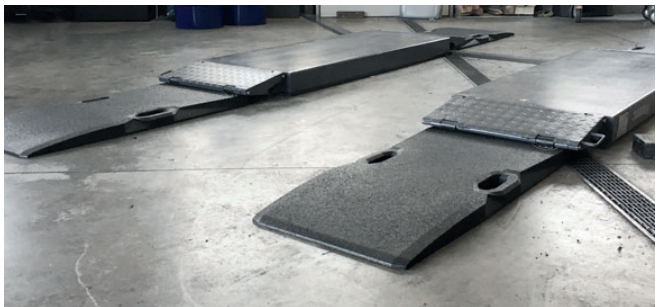
WERKPLAATSINRICHTING

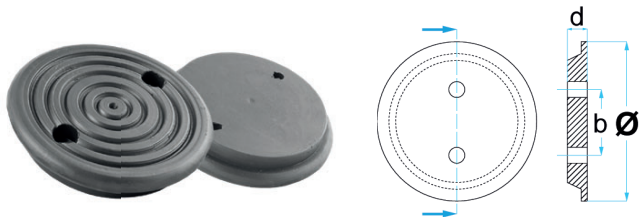


PRODUCT CATALOGUE 2023-03

RUBBER PADS | RUBBER BLOCKS
POLYMER BLOCKS | RUBBER PLATES
SPECIAL EQUIPMENT | RUBBER RAMPS
for automotive lifts

PROFITEER VAN MEER DAN 35 JAAR ERVARING ALS DÉ WERKPLAATSINRICHTER, WIJ DENKEN MEE!

**RUBBER PADS****PAGE 3****RUBBER BLOCKS****PAGE 19****POLYMER BLOCKS****PAGE 24****RUBBER PLATES****PAGE 26****SPECIAL EQUIPMENT****PAGE 29****RUBBER RAMPS****PAGE 30****FILLER PLATES****PAGE 31**

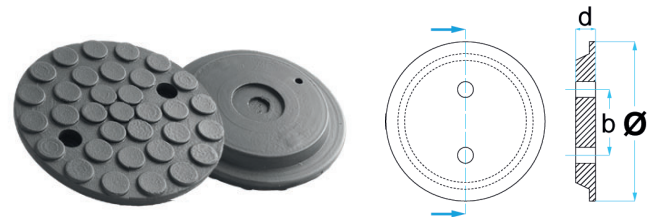


600015 / **12,10 €**

Ø	a	b	d	e
115 mm	-	73 mm	20 mm	-

kg 0,25 kg

suitable for:
J.A.B. BECKER

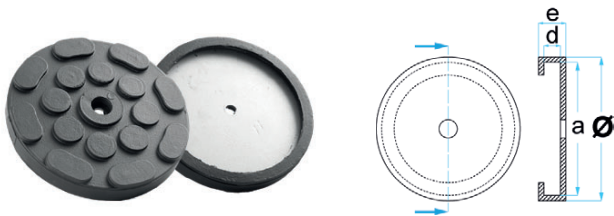


624481 / **12,10 €**

Ø	a	b	d	e
120 mm	-	75 mm	21 mm	-

kg 0,15 kg

suitable for:
J.A.B. BECKER

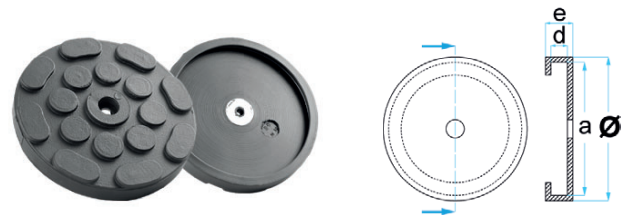


6169100MET / **27,20 €**

Ø	a	b	d	e
120 mm	110 mm	-	4 mm	16 mm

kg 0,29 kg with steel plate

suitable for:
J.A.B. BECKER / ATH-HEINL / HOFMANN / HERRMANN /
AUTOP-STENHOJ / FINKBEINER / KIRSTEN / WEBER

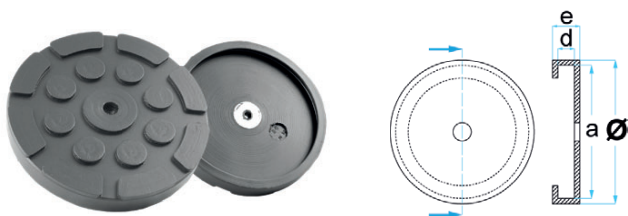


6169100 / **28,40 €**

Ø	a	b	d	e
120 mm	110 mm	-	4 mm	16 mm

kg 0,15 kg

suitable for:
J.A.B. BECKER / ATH-HEINL / HOFMANN / HERRMANN /
AUTOP-STENHOJ / FINKBEINER / KIRSTEN / WEBER

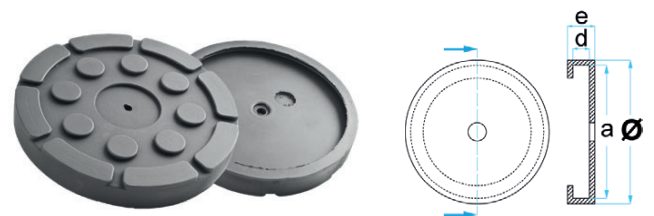


630299 / **38,70 €**

Ø	a	b	d	e
130 mm	122 mm	-	5 mm	17 mm

kg 0,20 kg

suitable for:
HERRMANN

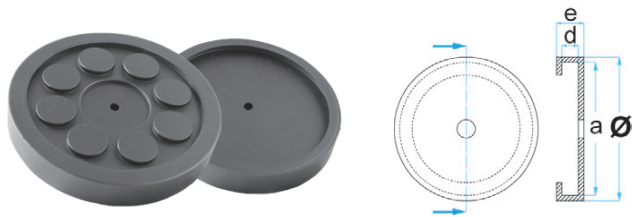


6335022 / **27,70 €**

Ø	a	b	d	e
140 mm	132 mm	-	4 mm	17 mm

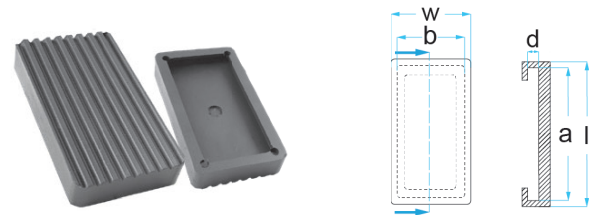
kg 0,20 kg

suitable for:
HOFMANN

**6335160****26,00 €**

Ø	a	b	d	e
160 mm	148 mm	-	6 mm	24 mm

kg 0,38 kg

suitable for:
HOFMANN**6336000****25,10 €**

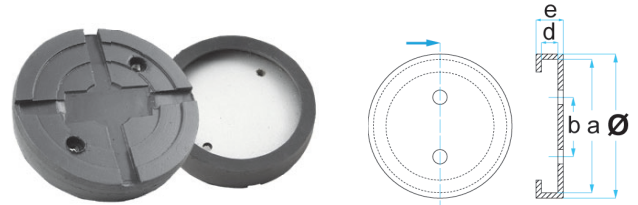
a	b	d	l	w
154 mm	82 mm	10 mm	162 mm	92 mm

kg 0,24 kg

suitable for:
HOFMANN / ROMEICO / HYMO**6901103031****30,80 €**

Ø	a	b	d	e
125 mm	120 mm	90 mm	24 mm	-

kg 0,30 kg with steel plate

suitable for:
NUSSBAUM / ATT / AMI / AMMCO / FORCE / WHEELTRONIC /
PHOENIX / SNAP-ON**S1521****33,40 €**

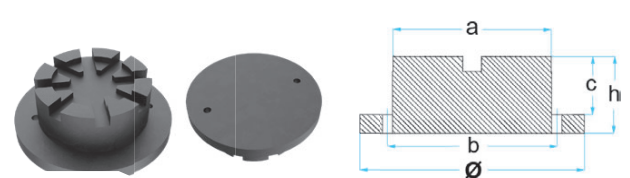
Ø	a	b	d	e
127 mm	120 mm	83 mm	9 mm	28 mm

kg 0,35 kg with steel plate

suitable for:
SLIFT / IME**6GK15516****24,30 €**

Ø	a	b	d	e
155 mm	153 mm	85 mm	16 mm	-

kg 0,38 kg with steel plate

suitable for:
SLIFT / IME**6GPRODUS****36,40 €**

Ø	a	b	c	h
120 mm	85 mm	90 mm	31 mm	41 mm

kg 0,35 kg

suitable for:
NUSSBAUM



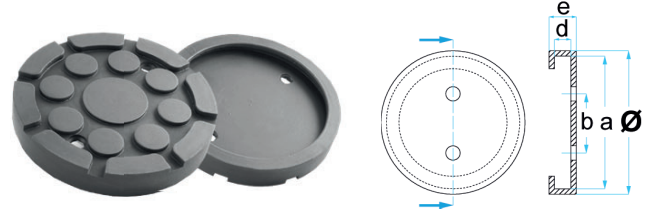
6GK122/12

18,80 €

Ø	a	b	d	e
122 mm	116 mm	80 mm	12 mm	-

kg 0,15 kg with steel plate

suitable for:
SLIFT / IME



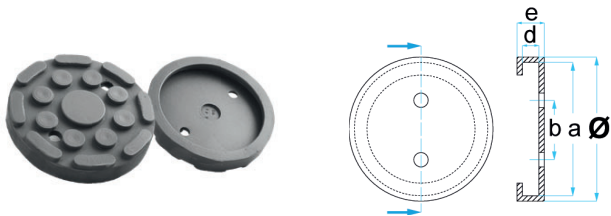
63600104

11,20 €

Ø	a	b	d	e
120 mm	112 mm	83 mm	5 mm	18 mm

kg 0,15 kg

suitable for:
MAHA / SLIFT / AUTOMASTER



6115172024

13,50 €

Ø	a	b	d	e
100 mm	90 mm	63 mm	5 mm	17,5 mm

kg 0,10 kg

suitable for:
MAHA / SLIFT



617202301M

15,70 €

Ø	a	b	d	e
120 mm	113 mm	83 mm	8 mm	22 mm

kg 0,26 kg with steel plate

suitable for:
MAHA



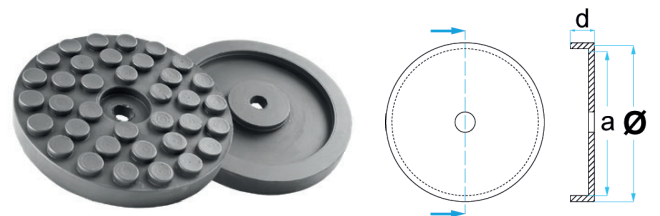
617202301

12,90 €

Ø	a	b	d	e
120 mm	113 mm	83 mm	8 mm	22 mm

kg 0,15 kg

suitable for:
MAHA



6121KP6Z215

46,80 €

Ø	a	b	d	e
144 mm	117 mm	-	20 mm	-

kg 0,30 kg

suitable for:
RAVAGLIOLI

**6047021040****39,30 €**

Ø	a	b	d	e
145 mm	-	45 mm	26 mm	-

0,30 kg

 suitable for:
 RAVAGLIOLI
**6046405771****25,90 €**

Ø	a	b	d	e
120 mm	-	36 mm	27 mm	-

0,25 kg

 suitable for:
 RAVAGLIOLI
**6046405772M****34,50 €**

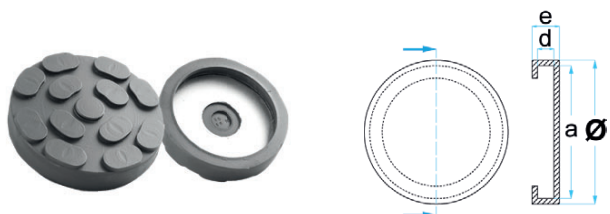
Ø	a	b	d	e
123 mm	110 mm	-	10 mm	25 mm

0,30 kg with steel plate

 suitable for:
 RAVAGLIOLI / WERTHER / SPACE / ORLANDINI / OMER
**6046405772****32,60 €**

Ø	a	b	d	e
123 mm	110 mm	-	10 mm	25 mm

0,15 kg

 suitable for:
 RAVAGLIOLI / WERTHER / SPACE / ORLANDINI / OMER
**6047021850M****27,30 €**

Ø	a	b	d	e
100 mm	87 mm	-	9 mm	22 mm

0,17 kg with steel plate

 suitable for:
 RAVAGLIOLI / SIRIO / SPACE / SUPREME / MOLNAR
**6047021850****30,20 €**

Ø	a	b	d	e
100 mm	87 mm	-	9 mm	22 mm

0,10 kg

 suitable for:
 RAVAGLIOLI / SIRIO / SPACE / SUPREME / MOLNAR



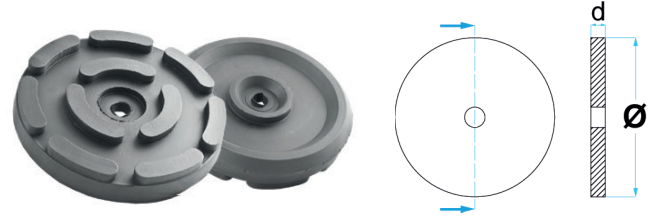
6047021041

41,50 €

Ø	a	b	d	e
148 mm	133 mm	-	10 mm	25 mm

0,26 kg

suitable for:
RAVAGLIOLI



6582100

37,50 €

Ø	a	b	d	e
143 mm	-	-	27 mm	-

0,35 kg

suitable for:
OMCN



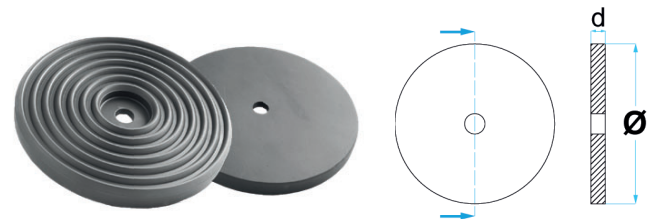
6OMCN-140-002

38,40 €

Ø	a	b	d	e
140 mm	-	42 mm	29 mm	-

0,31 kg

suitable for:
OMCN



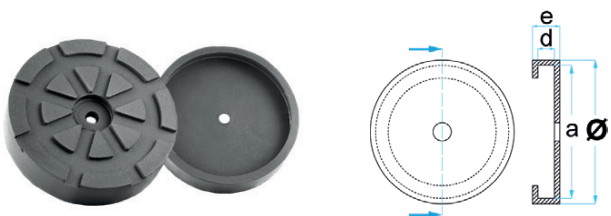
6WERTHER002

19,70 €

Ø	a	b	d	e
140 mm	-	-	15 mm	-

0,25 kg

suitable for:
WERTHER / OMA / BRADBURY / TECALEMIT / AUTEC



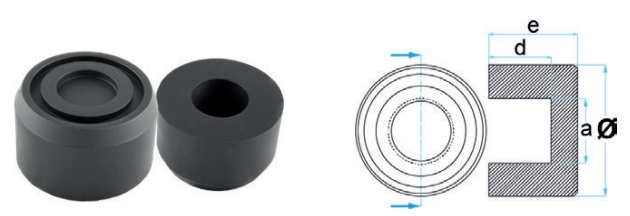
6B1007

23,20 €

Ø	a	b	d	e
122 mm	114 mm	-	10 mm	28 mm

0,23 kg

suitable for:
WERTHER / OMA / TECALEMIT / ITALGARAGE / FINKBEINER



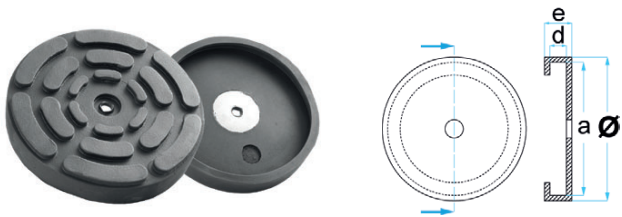
6WERTHER001

33,80 €

Ø	a	b	d	e
85 mm	39 mm	-	29 mm	50 mm

0,31 kg

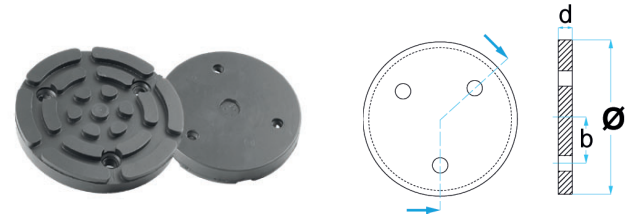
suitable for:
WERTHER

**S3416****25,60 €**

Ø	a	b	d	e
127 mm	123 mm	-	8 mm	22 mm

0,15 kg

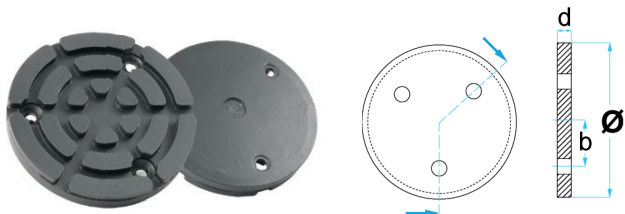
suitable for:
ZIPPO / FOG

**61587410****19,50 €**

Ø	a	b	d	e
100 mm	-	35 mm	17mm	-

0,24 kg with steel plate

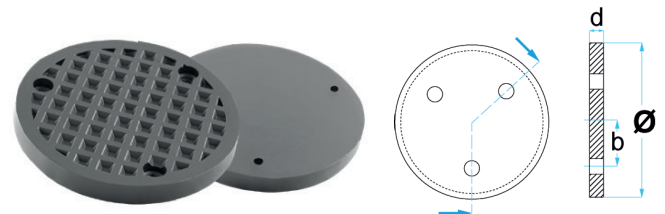
suitable for:
ZIPPO / GRUSE

**S2146****29,80 €**

Ø	a	b	d	e
120 mm	-	44 mm	16 mm	-

0,30 kg with steel plate

suitable for:
ZIPPO

**61587450****31,40 €**

Ø	a	b	d	e
149 mm	-	60 mm	15 mm	-

0,75 kg with steel plate

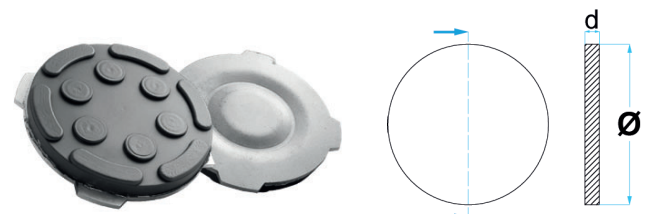
suitable for:
ZIPPO

**61587453****32,50 €**

Ø	a	b	d	e
153 mm	-	60 mm	32 mm	-

0,75 kg with steel plate

suitable for:
ZIPPO

**602CONSUL****34,20 €**

Ø	a	b	d	e
138 mm	-	-	18 mm	-

0,75 kg with steel plate

suitable for:
CONSUL



602CONSUL01

59,90 €

Ø	a	b	d	e
135 mm	35 mm	40 mm	-	-

kg 1,40 kg complete rotating plate

suitable for:
CONSUL / ZIPPO / BEISSBARTH



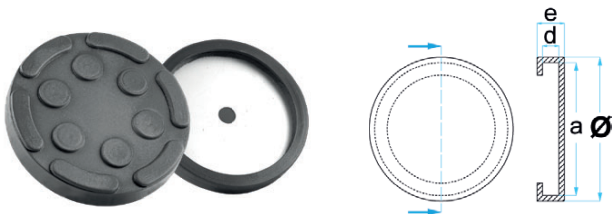
602CONSUL01CA

64,60 €

Ø	a	b	d	e
135 mm	35 mm	40 mm	-	-

kg 1,50 kg rotating plate incl. changeable rubber pad

suitable for:
CONSUL / ZIPPO / BEISSBARTH



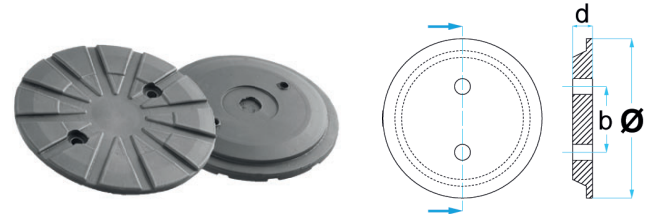
602CONSUL01GTRP

23,60 €

Ø	a	b	d	e
135 mm	126 mm	-	8 mm	10 mm

kg 0,30 kg with steel plate

suitable for:
CONSUL / ZIPPO / BEISSBARTH / HERRMANN



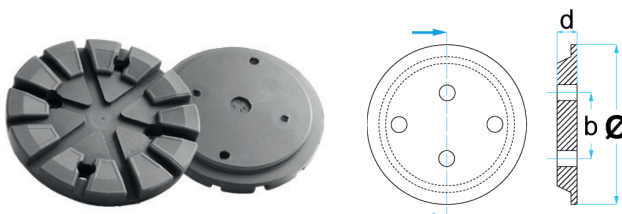
664202

22,40 €

Ø	a	b	d	e
121 mm	-	65 mm	9 mm	-

kg 0,20 kg with steel plate

suitable for:
AUTOP-STENHOJ / FOG / CAR-O-LINER



664000

22,00 €

Ø	a	b	d	e
122 mm	-	65 / 88	18 mm	-

kg 0,18 kg

suitable for:
AUTOP-STENHOJ / NUSSBAUM / FOG / CAR-O-LINER



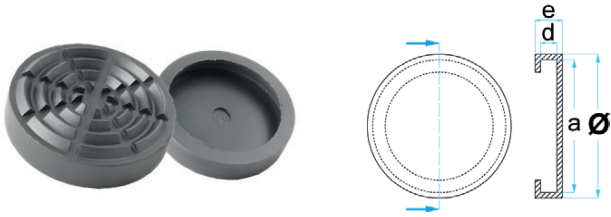
664160

24,10 €

Ø	a	b	d	e
158 mm	-	47 mm	11 mm	-

kg 0,40 kg with steel plate

suitable for:
AUTOP-STENHOJ

**6SK2030105****52,50 €**

Ø	a	b	d	e
109 mm	100 mm	-	10 mm	26 mm

kg 0,15 kg

suitable for:
KONI / BRADBURY / HERKULES / TECALEMIT / MAJORLIFT

**6SK2030124****24,10 €**

Ø	a	b	d	e
124 mm	118 mm	-	5 mm	17 mm

kg 0,10 kg

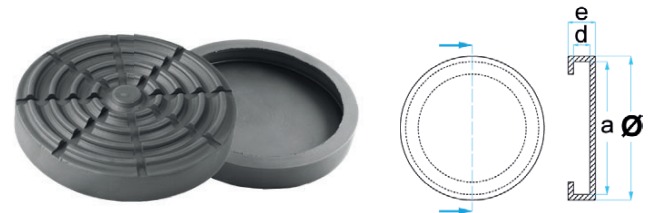
suitable for:
KONI

**SK2030160****33,40 €**

Ø	a	b	d	e
160 mm	153 mm	-	10 mm	28 mm

kg 0,33 kg

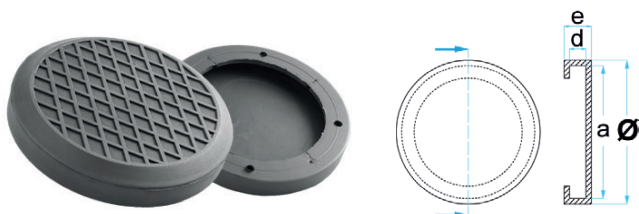
suitable for:
KONI / ROMEICO / CAR-O-LINER / HH-INTERTECH /
BEISSBARTH / FOG / MONDOLFO FERRO

**6ROMEICO124****16,40 €**

Ø	a	b	d	e
124 mm	116 mm	-	10 mm	22 mm

kg 0,15 kg

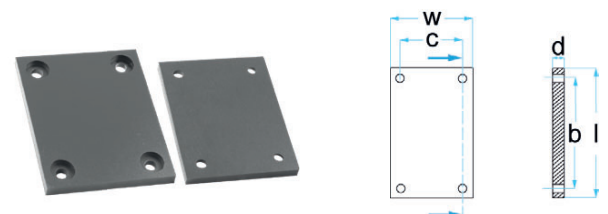
suitable for:
ROMEICO / HH-INTERTECH / CORGHI / GRAZIA

**6ROTARY****17,90 €**

Ø	a	b	d	e
123 mm	112 mm	-	8 mm	20 mm

kg 0,17 kg

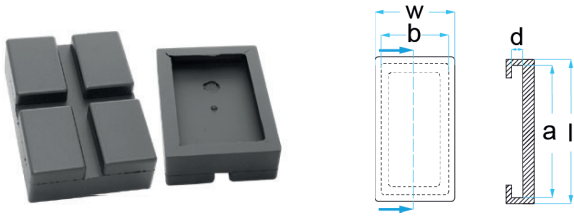
suitable for:
ROTARY

**6ROTARYFJRP****18,70 €**

b	c	d	l	w
80 mm	56 mm	8 mm	104 mm	82 mm

kg 0,12 kg

suitable for:
ROTARY



6ROTARYPU

20,10 €

a	b	d	l	w
116 mm	80 mm	9 mm	128 mm	89 mm

kg 0,12 kg

suitable for:
ROTARY



SZ4102

33,80 €

Ø	a	b	d	e
128 mm	112 mm	-	8 mm	22 mm

kg 0,20 kg

suitable for:
EUROLIFT / ORLANDINI



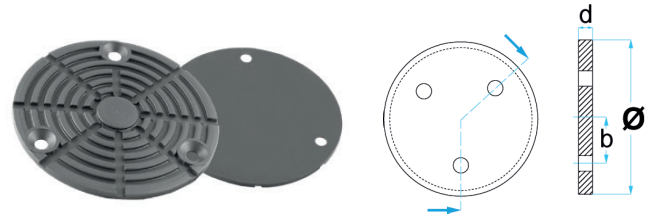
6720300

31,50 €

Ø	a	b	d	e
155 mm	147 mm	-	6 mm	24 mm

kg 0,27 kg

suitable for:
ISTOBAL / VELYEN



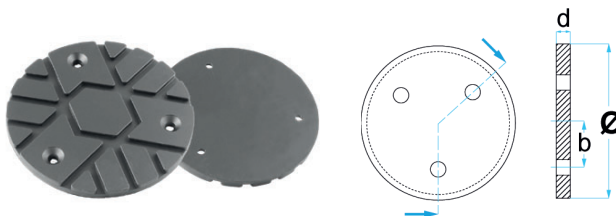
61304800

13,50 €

Ø	a	b	d	e
145 mm	-	60 mm	5 mm	-

kg 0,10 kg

suitable for:
ISTOBAL / VELYEN / SOURIAU



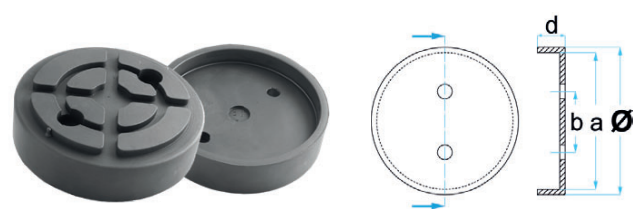
6VEL001

19,50 €

Ø	a	b	d	e
121 mm	-	46 mm	7 mm	-

kg 0,10 kg

suitable for:
ISTOBAL / VELYEN



6LAUNCH120

28,00 €

Ø	a	b	d	e
120 mm	108 mm	69 mm	32 mm	-

kg 0,30 kg

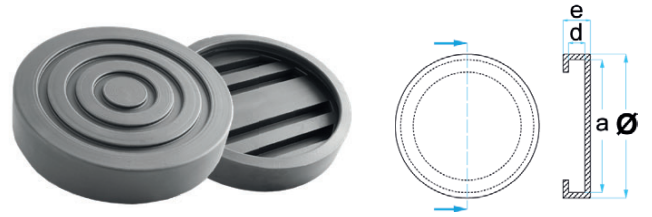
suitable for:
LAUNCH / EVER ETERNAL / TWIN BUSCH / RP TOOLS / ATH-HEINL / LINCOS / many chinese manufactured lifts

**6001483****17,20 €**

Ø	a	b	d	e
126 mm	120 mm	-	10 mm	24 mm

kg 0,21 kg

suitable for:
CORGHI / HPA / MONDOLFO FERRO / ORLANDINI / SICE

**61250704****30,20 €**

Ø	a	b	d	e
139 mm	130 mm	-	8 mm	28 mm

kg 0,30 kg

suitable for:
AGM / CORGHI / FOG / SICE / HPA - FAIP / MOLNAR

**6CASCOS001****22,50 €**

Ø	a	b	d	e
138 mm	130 mm	-	8 mm	25 mm

kg 0,26 kg

suitable for:
CASCOS / VILVER

**6BRADBURY001****23,70 €**

Ø	a	b	d	e
158 mm	148 mm	-	11 mm	27 mm

kg 0,37 kg

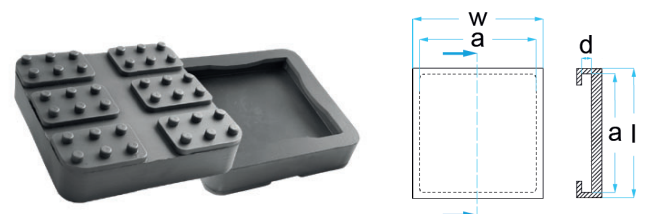
suitable for:
BRADBURY / HH-INTERTECH

**6BRADBURY002****17,90 €**

Ø	a	b	d	e
150 mm	142 mm	-	7 mm	22 mm

kg 0,21 kg

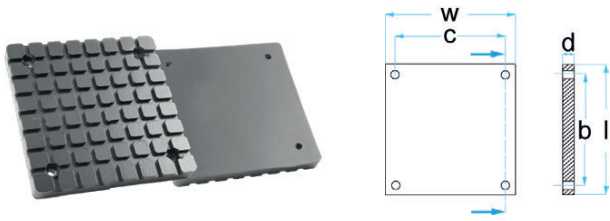
suitable for:
BRADBURY

**6RANGER001****34,40 €**

a	b	d	l	w
126 mm	-	13 mm	143 mm	143 mm

kg 0,50 kg

suitable for:
BENDPAK / RANGER / DANMAR



6BENDPAK002

18,90 €

b	c	d	l	w
88 mm	88 mm	12 mm	119 mm	119 mm

kg 0,20 kg

suitable for:
BENDPAK



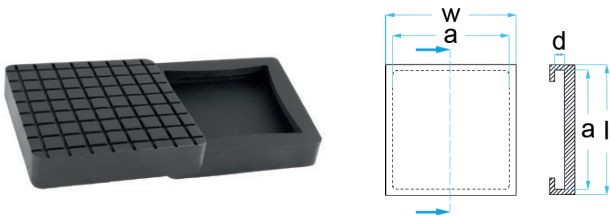
6BENDPAK003

21,60 €

Ø	a	b	d	e
127 mm	111 mm	-	11 mm	26 mm

kg 0,26 kg

suitable for:
BENDPAK



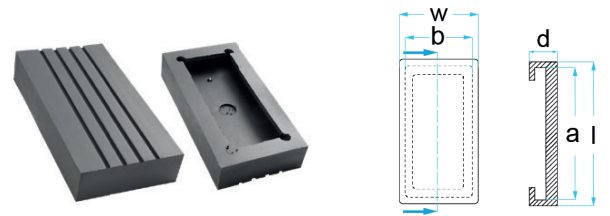
6BENDPAK004

25,70 €

a	b	d	l	w
126 mm	-	13 mm	143 mm	143 mm

kg 0,50 kg

suitable for:
BENDPAK / RANGER / DANMAR



6LAY001

17,70 €

a	b	d	l	w
140 mm	70 mm	12 mm	150 mm	80 mm

kg 0,27 kg

suitable for:
LAYCOCK / KISMET



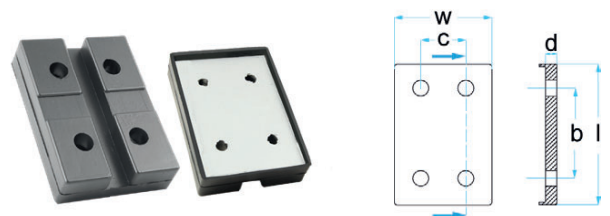
6SILENT001

32,00 €

b	c	d	l	w
60 mm	40 mm	20 mm	118 mm	83 mm

kg 0,27 kg

suitable for:
BRADBURY / DUNLOP / SILENT / many chinese
manufactured lifts



6CILENTMET

22,90 €

b	c	d	l	w
60 mm	40 mm	20 mm	118 mm	83 mm

kg 0,35 kg mit Stahlplatte

suitable for:
BRADBURY / DUNLOP / SILENT / many chinese
manufactured lifts

**6SUM001****21,90 €**

Ø	a	b	d	e
140 mm	134 mm	118 mm	20 mm	88 mm

kg 0,29 kg

suitable for:
SUMMIT**6HPOW001****22,30 €**

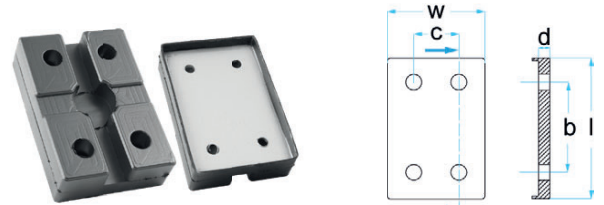
Ø	a	b	d	e
120 mm	-	25 mm	17 mm	-

kg 0,21 kg

suitable for:
POWERREX / HESHBON / AUTOP-STENHOJ / many chinese
manufactured lifts**6HPOW002****23,10 €**

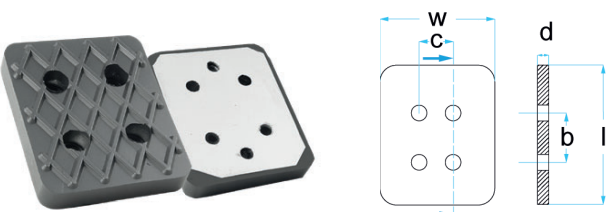
Ø	a	b	d	e
120 mm	-	25 mm	25 mm	-

kg 0,32 kg

suitable for:
POWERREX / HESHBON / ROTARY / JIG / QUALITY LIFTS /
many chinese manufactured lifts**6BISHAMON001****22,90 €**

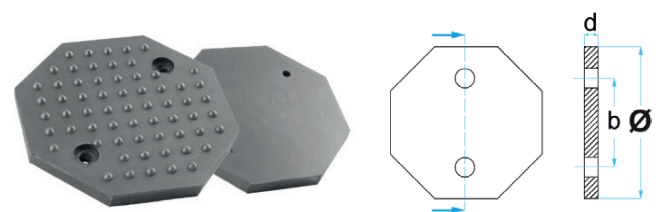
b	c	d	l	w
74 mm	40 mm	20 mm	116 mm	80 mm

kg 0,28 kg mit Stahlplatte

suitable for:
BISHAMON / CHIANG LURN / CARLEO**6BISHAMON002****19,90 €**

b	c	d	l	w
45 mm	40 mm	16 mm	112 mm	92 mm

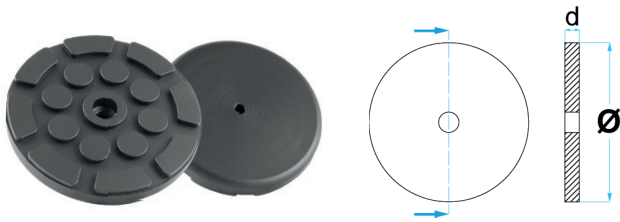
kg 0,31 kg mit Stahlplatte

suitable for:
BISHAMON / BENWIL**6GTCN001****16,80 €**

Ø	a	b	d	e
125 mm	-	90 mm	10 mm	-

kg 0,17 kg

suitable for:
AUTOMOTECH / EVER ETERNAL / TWIN BUSCH /
HANMECSON / FORWARD / many chinese manufactured lifts



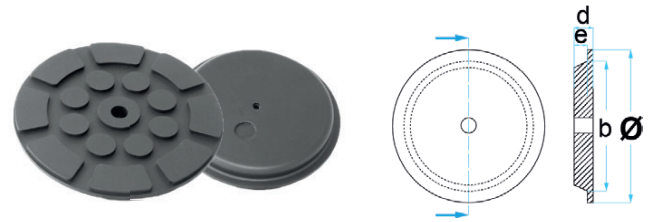
6GTCN002

20,40 €

Ø	a	b	d	e
120 mm	-	-	17 mm	-

kg 0,21 kg

suitable for:
AUTOP-STENHOJ / HESHBON / TWIN BUSCH / LINCOS / PROVAC / KRÖMER / AUTOMASTER / many chinese manufactured lifts



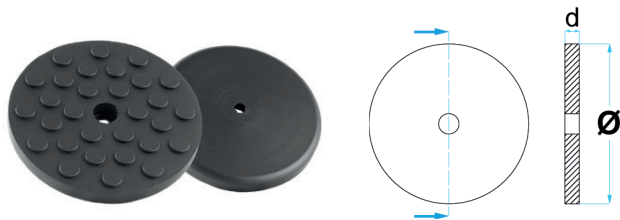
6GTCN002RNG

20,40 €

Ø	a	b	d	e
132 mm	-	119 mm	14 mm	9 mm

kg 0,21 kg

suitable for:
many chinese manufactured lifts



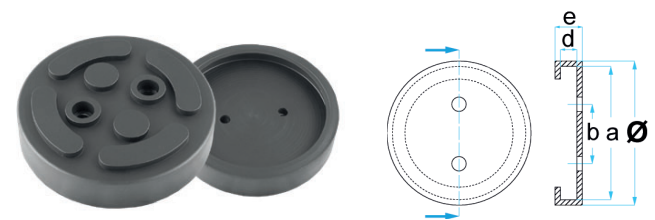
6GTCN003

20,40 €

Ø	a	b	d	e
120 mm	-	-	15 mm	-

kg 0,21 kg

suitable for:
FOG / DUNLOP / many chinese manufactured lifts



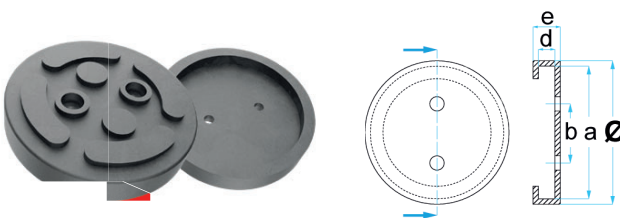
6GTCN004

21,20 €

Ø	a	b	d	e
140 mm	130 mm	50 mm	10 mm	32 mm

kg 0,40 kg

suitable for:
NORDIC LIFT / TWIN BUSCH / many chinese manufactured lifts



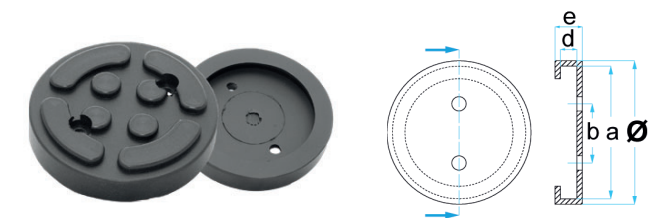
6GTCN009

22,00 €

Ø	a	b	d	e
130 mm	120 mm	50 mm	10 mm	32 mm

kg 0,40 kg

suitable for:
EVER ETERNAL / NORDIC LIFT / TWIN BUSCH / many chinese manufactured lifts



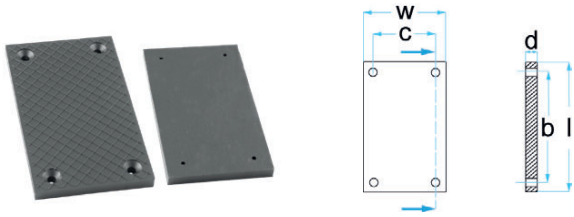
6GTCN006

21,00 €

Ø	a	b	d	e
120 mm	105 mm	66 mm	8 mm	25 mm

kg 0,21 kg

suitable for:
EVER ETERNAL / LAUNCH / TWIN BUSCH / many chinese manufactured lifts



6GTCN005

16,80 €

b	c	d	l	w
105 mm	50 mm	8 mm	125 mm	75 mm

kg 0,21 kg

suitable for:
EVER ETERNAL / LAUNCH / TWIN BUSCH / many chinese manufactured lifts



6GTCN008

31,80 €

Ø	a	b	d	e
140 mm	-	-	21 mm	-

kg 0,35 kg

suitable for:
TWIN BUSCH / ATH-HEINL / many chinese manufactured lifts



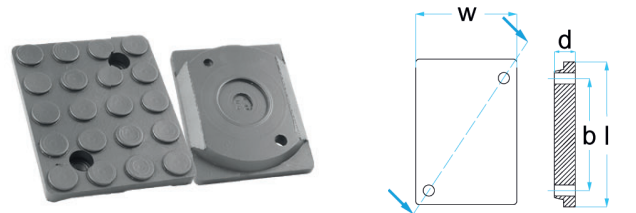
617200

20,20 €

Ø	a	b	d	e
127 mm	115 mm	-	7 mm	23 mm

kg 0,17 kg

suitable for:
NORDLIFT



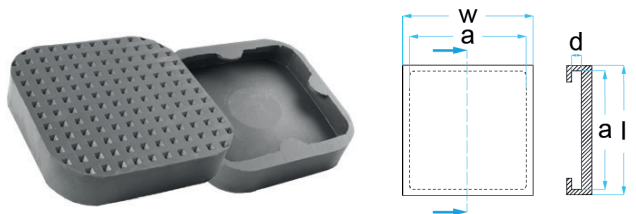
6149950

21,30 €

b	c	d	l	w
73 mm	-	18 mm	100 mm	81 mm

kg 0,15 kg

suitable for:
J.A.B. BECKER



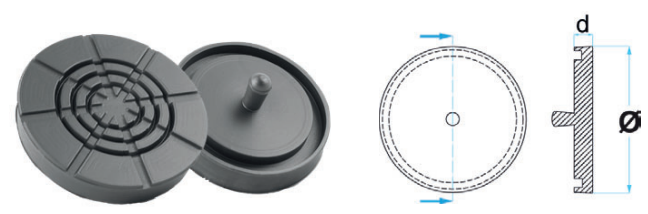
100100

26,90 €

a	b	d	l	w
108 mm	-	12 mm	120 mm	120 mm

kg 0,18 kg

suitable for:
COMPAC



6ACGS1

26,40 €

Ø	a	b	d	e
110 mm	-	-	20 mm	-

kg 0,17 kg

suitable for:
AC HYDRAULIC



6ACGS2

24,80 €

a	b	d	l	w
100 mm	50 mm	10 mm	110 mm	60 mm

0,15 kg

suitable for:
AC HYDRAULIC / MAHA / ROTARY



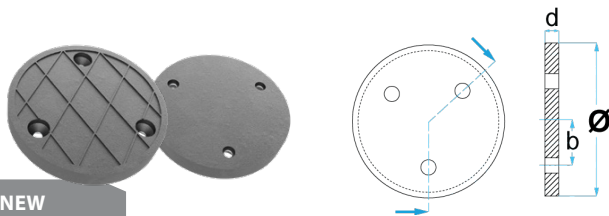
6COL001

19,30€

Ø	a	b	d	e
89 mm	80 mm	-	17 mm	-

0,10 kg

suitable for:
CAR-O-LINER



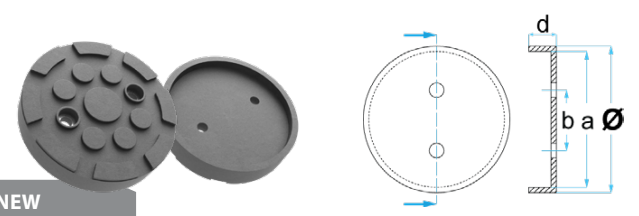
Art. Nr.: GT-BTHZ.120.15

22,80 €

Ø	a	b	d	e
120 mm	-	45 mm	15 mm	-

0,35 kg with steel plate

Suitable for:
J.A.B. BECKER / ZIPPO



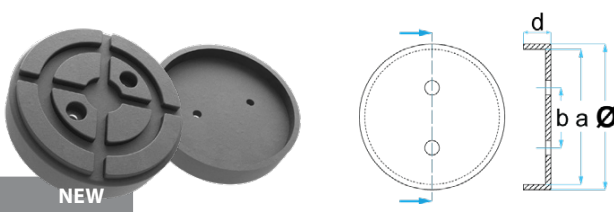
Art. Nr.: GTCN010

18,20 €

Ø	a	b	d	e
120 mm	108 mm	60 mm	23 mm	-

0,19 kg

suitable for:
WEBER / many chinese manufactured lifts



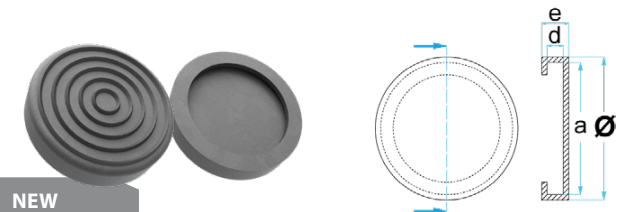
Art. Nr.: GTCN011

21,90 €

Ø	a	b	d	e
140 mm	128 mm	56 mm	34 mm	-

0,39 kg

suitable for:
WEBER / many chinese manufactured lifts



Art. Nr.: GT-VIGK.115.27

16,00 €

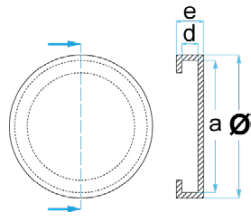
Ø	a	b	d	e
115 mm	100 mm	-	5 mm	27 mm

0,25 kg

suitable for:
VILVER



NEW



Art. Nr.: GT-VILN.145.30

19,80 €

Ø	a	b	d	e
145 mm	130 mm	-	8 mm	31 mm

0,40 kg

suitable for:
VILVER

**6165046****67,90 €**

a

b

h

150 x 150 mm

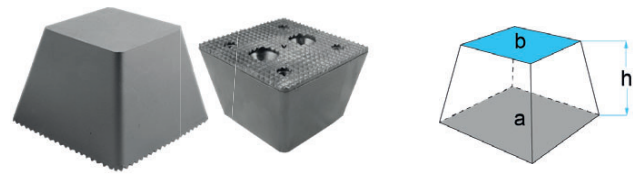
100 x 100 mm

140 mm

2,30 kg

suitable for:

J.A.B. BECKER / AUTOP-STENHOJ / universal use

**6165042****55,80 €**

a

b

h

150 x 150 mm

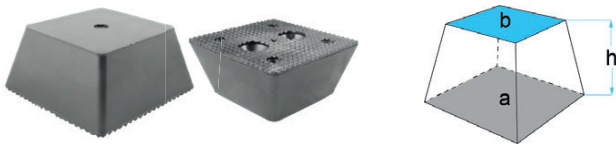
104 x 104 mm

100 mm

1,75 kg

suitable for:

J.A.B. BECKER / AUTOP-STENHOJ / universal use

**629827****46,60 €**

a

b

h

150 x 150 mm

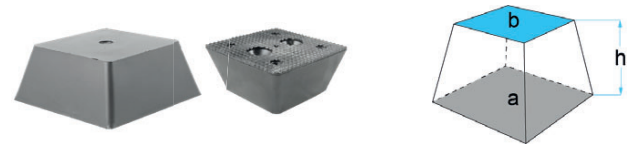
110 x 110 mm

70 mm

1,40 kg

suitable for:

J.A.B. BECKER / AUTOP-STENHOJ / universal use

**6165036****52,70 €**

a

b

h

150 x 150 mm

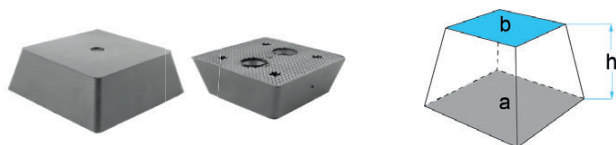
115 x 115 mm

60 mm

1,20 kg

suitable for:

J.A.B. BECKER / AUTOP-STENHOJ / universal use

**6165031****38,50 €**

a

b

h

150 x 150 mm

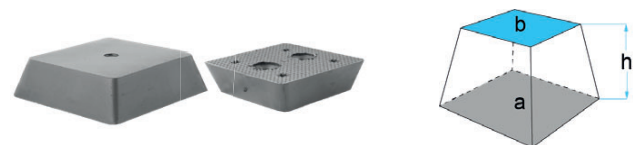
120 x 120 mm

50 mm

1,10 kg

suitable for:

J.A.B. BECKER / AUTOP-STENHOJ / universal use

**629828****37,60 €**

a

b

h

150 x 150 mm

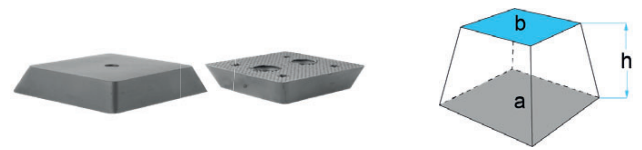
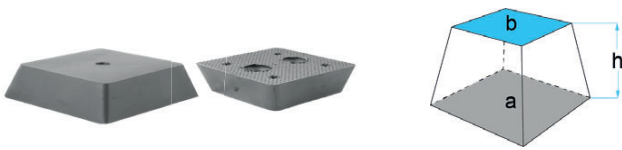
128 x 128 mm

40 mm

0,80 kg

suitable for:

J.A.B. BECKER / AUTOP-STENHOJ / universal use



6165037

41,80 €

6165038

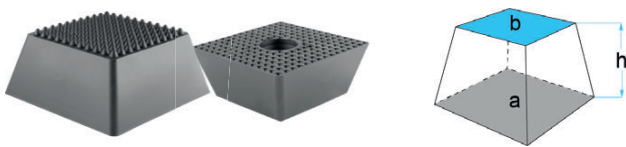
38,70 €

a	b	h
150 x 150 mm	135 x 135 mm	30 mm
kg 0,72 kg		

suitable for:
J.A.B. BECKER / AUTOP-STENHOJ / universal use

a	b	h
150 x 150 mm	140 x 140 mm	20 mm
kg 0,47 kg		

suitable for:
J.A.B. BECKER / AUTOP-STENHOJ / universal use



623000251

50,20 €

6165040

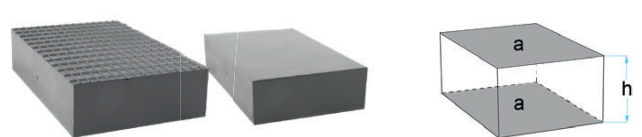
50,90 €

a	b	h
150 x 150 mm	115 x 115 mm	60 mm
kg 1,20 kg		

suitable for:
MAHA / universal use

a	b	h
180 x 100 mm	-	100 mm
kg 2,10 kg		

suitable for:
universal use



6165033H

70,10 €

6165032

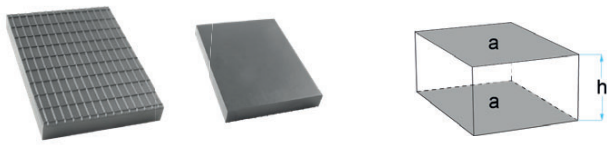
62,10 €

a	b	h
222 x 137 mm	-	85 mm
kg 2,75 kg with wooden core		

suitable for:
universal use

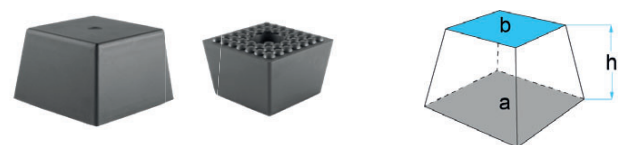
a	b	h
216 x 136 mm	-	50 mm
kg 1,80 kg		

suitable for:
universal use

**6412099****52,70 €**

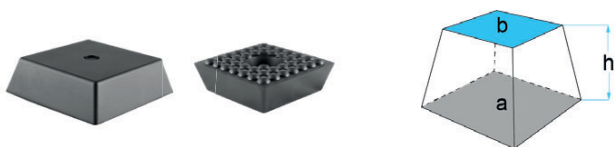
a	b	h
160 x 120 mm	-	20 mm
kg 0,60 kg		

suitable for:
J.A.B. BECKER / AUTOP-STENHOJ / universal use

**29415****45,30 €**

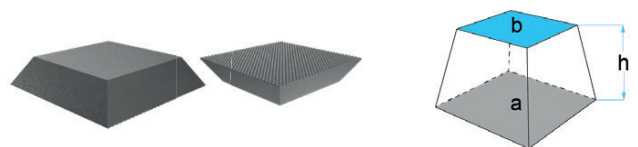
a	b	h
120 x 120 mm	100 x 100 mm	80 mm
kg 1,10 kg		

suitable for:
SLIFT / IME / universal use

**6GK124****27,00 €**

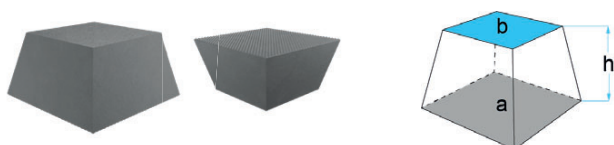
a	b	h
120 x 120 mm	102 x 102 mm	40 mm
kg 0,55 kg		

suitable for:
SLIFT / IME / universal use

**613510030****43,20 €**

a	b	h
135 x 135 mm	100 x 100 mm	30 mm
kg 0,62 kg especially for BMW cars		

suitable for:
RAVAGLIOLI / universal use

**613510070****28,60 €**

a	b	h
135 x 135 mm	100 x 100 mm	70 mm
kg 1,52 kg especially for BMW cars		

suitable for:
RAVAGLIOLI / universal use

**6GK169****39,20 €**

a	b	h
160 x 120 mm	120 x 83 mm	90 mm
kg 1,48 kg		

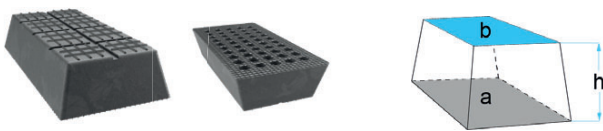
suitable for:
universal use



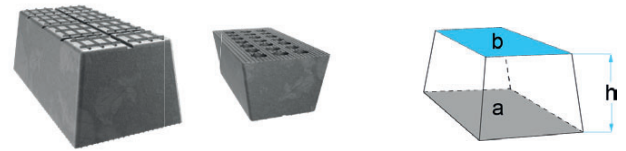
6316930		27,60 €
a	b	h
120 x 100 mm	-	50 mm
kg 0,55 kg		
suitable for: MAHA / HOFMANN / universal use		



6316930NU		43,20 €
a	b	h
120 x 100 mm	-	50 mm
kg 0,55 kg		
suitable for: MAHA / universal use		



63831829		28,60 €
a	b	h
200 x 100 mm	180 x 80 mm	40 mm
kg 0,80 kg		
suitable for: ZIPPO / MAJORLIFT / universal use		



63831830		31,30 €
a	b	h
200 x 100 mm	180 x 80 mm	70 mm
kg 1,40 kg		
suitable for: ZIPPO / MAJORLIFT / universal use		



63831831		73,50 €
a	b	h
230 x 140 mm	220 x 130 mm	140 mm
kg 4,60 kg		
suitable for: ZIPPO / MAJORLIFT / universal use		



63831831OLD		73,50 €
a	b	h
230 x 140 mm	215 x 138 mm	135 mm
kg 4,60 kg with wooden core		
suitable for: ZIPPO / universal use		

**630100012030****28,70 €**

a

b

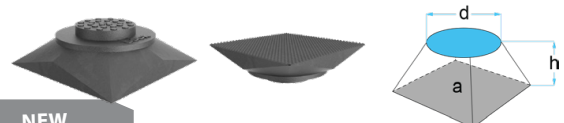
h

120 x 100 mm

-

30 mm

0,45 kg

suitable for:
HERKULES

NEW

Art. Nr.: 13510030-RU**31,50 €**

a

b

h

135 x 135 mm

60 mm

42 mm

0,60 kg on scissor lifts for electric cars

suitable for: universal use



NEW

Art. Nr.: 80100012080**34,80 €**

a

b

h

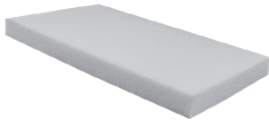
120 x 100 mm

-

80 mm

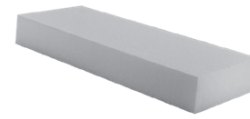
0,95 kg

suitable for: HERKULES

**6PE90020****18,30 €**

250 x 150 x 20 mm

kg 0,11 kg

suitable for:
universal use on scissor lifts**628102****38,50 €**

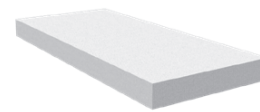
340 x 132 x 50 mm

kg 0,35 kg

suitable for:
universal use on scissor lifts**608300****64,30 €**

340 x 150 x 100 mm

kg 0,75 kg

suitable for:
universal use on scissor lifts**6PE9003415****21,10 €**

340 x 150 x 25 mm

kg 0,18 kg

suitable for:
universal use on scissor lifts**6PE90049****92,40 €**

1355 x 140 x 49 mm

kg 1,45 kg

suitable for:
universal use on scissor lifts**6PE90095****171,80 €**

1355 x 140 x 95 mm

kg 2,80 kg

suitable for:
universal use on scissor lifts

**6PB341540****27,70 €**

350 x 150 x 40 mm

kg 0,20 kg

suitable for:
universal use on scissor lifts**6PB341560****40,80 €**

350 x 150 x 60 mm

kg 0,30 kg

suitable for:
universal use on scissor lifts**6PB341580****53,60 €**

350 x 150 x 80 mm

kg 0,40 kg

suitable for:
universal use on scissor lifts**6PB1501540****89,10 €**

1500 x 150 x 40 mm

kg 0,90 kg

suitable for:
universal use on scissor lifts**6PB1501560****115,90 €**

1500 x 150 x 80 mm

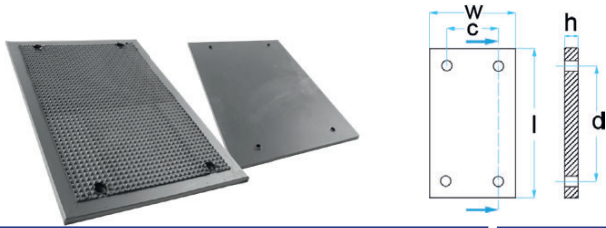
kg 1,30 kg

suitable for:
universal use on scissor lifts**6PB1501580****142,50 €**

1500 x 150 x 80 mm

kg 1,60 kg

suitable for:
universal use on scissor lifts



6165029

70,90 €

c	d	h	l	w
160 mm	320 mm	13 mm	380 mm	260 mm

2,75 kg with steel plate

suitable for:
J.A.B. BECKER



6GK402

86,40 €

c	d	h	l	w
240 mm	285 mm	15 mm	400 mm	350 mm

3,30 kg with steelplate

suitable for:
SLIFT / IME



6GK4012

86,40 €

c	d	h	l	w
240 mm	255 mm	12 mm	400 mm	350 mm

3,10 kg with steelplate

suitable for:
SLIFT / IME



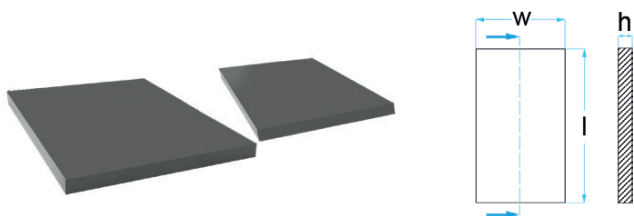
6GK5312

140,80 €

c	d	h	l	w
240 mm	405 mm	12 mm	535 mm	350 mm

4,20 kg with steelplate

suitable for:
SLIFT / IME



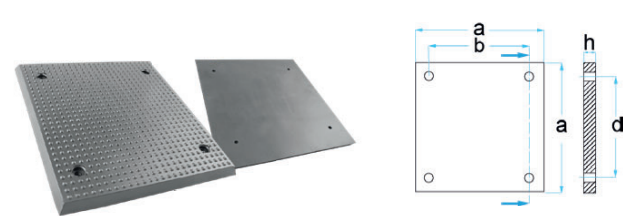
629829

71,40 €

h	l	w
20 mm	336 mm	290 mm

2,35 kg

suitable for:
SLIFT / IME / universal use



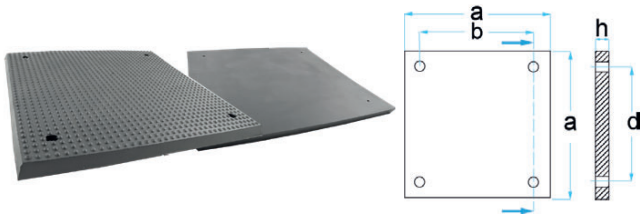
6GK392

70,90 €

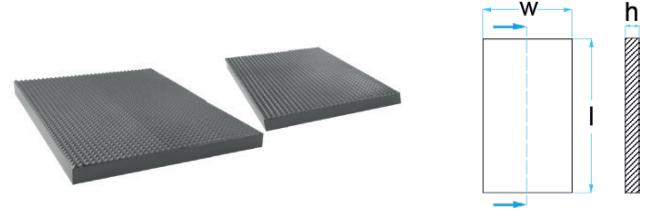
c	d	h	l	w
240 mm	255 mm	20 mm	370 mm	330 mm

2,55 kg

suitable for:
MAHA / universal use

**6GK452****97,90 €**

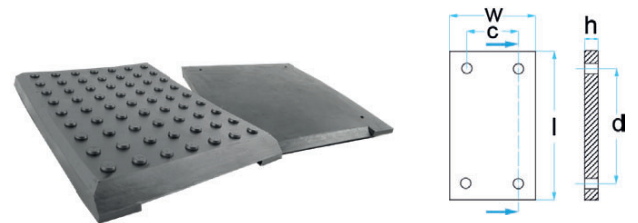
a	b	c	d	h
450 mm	354 mm	-	354 mm	20 mm

kg 5,70 kgsuitable for:
MAHA / universal use**637005****54,90 €**

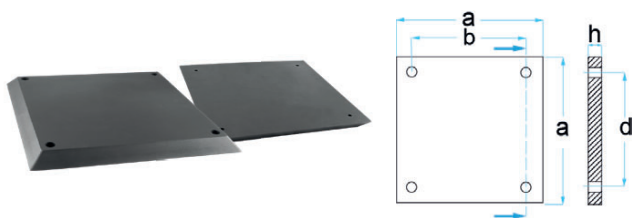
h	l	w
20 mm	270 mm	210 mm

kg 1,35 kgsuitable for:
AUTOP-STENHOJ**637006****97,10 €**

c	d	h	l	w
320 mm	340 mm	12 mm	400 mm	350 mm

kg 3,35 kg with steel plate / incl. screw connectionsuitable for:
AUTOP-STENHOJ**624003****154,30 €**

c	d	h	l	w
230 mm	311 mm	40 mm	405 mm	305 mm

kg 6,40 kg with steelplatesuitable for:
AUTOP-STENHOJ / PERKUTE**623508022****73,20 €**

a	b	c	d	h
325 mm	257 mm	-	257 mm	20 mm

kg 2,70 kgsuitable for:
NUSSBAUM**6507176****56,60 €**

c	d	h	l	w
80 mm	155 mm	12 mm	220 mm	120 mm

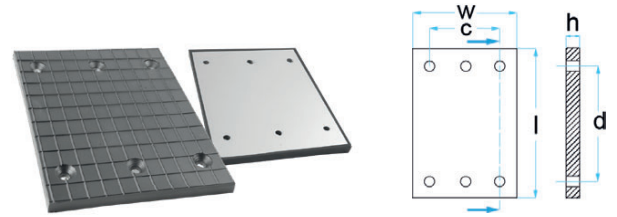
kg 0,85 kg with steelplatesuitable for:
J.A.B. BECKER



6970527

169,70 €

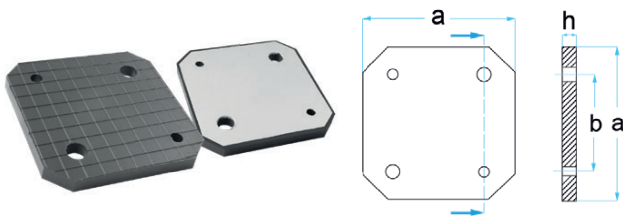
h	l	w
30 mm	460 mm	300 mm
kg 5,50 kg		
suitable for: NUSSBAUM		



6509281

72,70 €

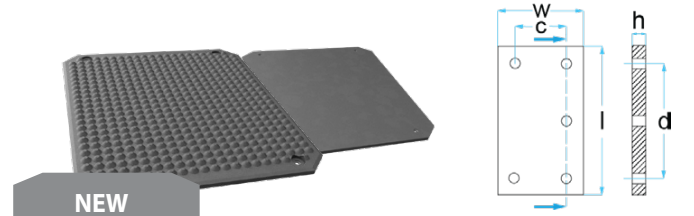
c	d	h	l	w
130 mm	155 mm	12 mm	220 mm	170 mm
kg 1,25 kg with steelplate				



600931

52,60 €

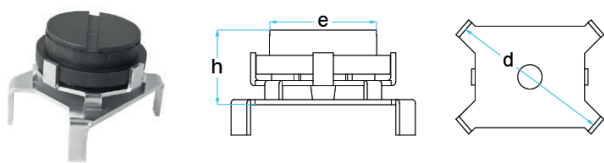
a	b	c	d	h
150 mm	95 mm	-	-	12 mm
kg 0,75 kg with steelplate				
suitable for: HYWEMA				



Art. Nr.: GK40/35-VG

87,20 €

C	D	H	I	W
260 mm	355 mm	14 mm	400 mm	350 mm
kg 3,60 kg new version, with steel plate				
suitable for: MAHA				

**680110130****116,60 €**

d

e

h

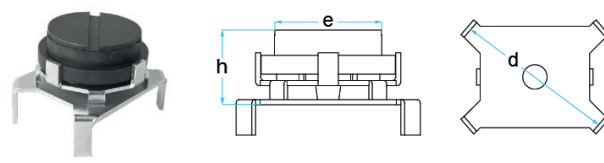
141 mm

85 mm

58 mm

0,71 kg suitable on rubber pads with: $\varnothing = 110-130$ mm

suitable for:
Volvo S80 / universal use

**680130160****116,60 €**

d

e

h

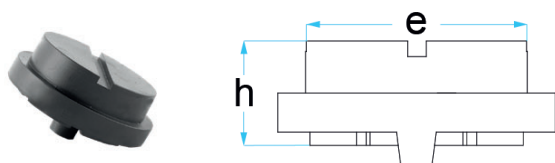
161 mm

85 mm

58 mm

0,75 kg suitable on rubber pads with: $\varnothing = 130-160$ mm

suitable for:
Volvo S80 / universal use

**6GUMMIRONDES80****22,00 €**

a

e

h

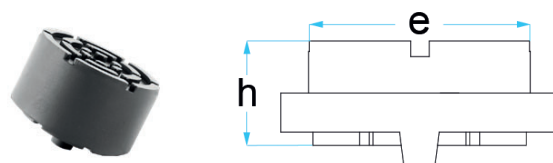
-

85 mm

38 mm

0,30 kg

suitable for:
LIFTADAPTERS80 / universal use

**6GUMMIRONDES50****24,60 €**

a

e

h

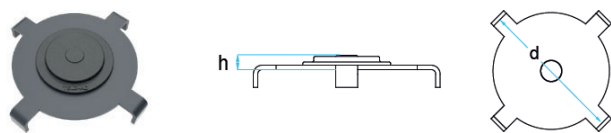
-

100 mm

60 mm

0,54 kg

suitable for:
LIFTADAPTERS80 / universal use

**6TLS3M****136,70 €**

a

d

h

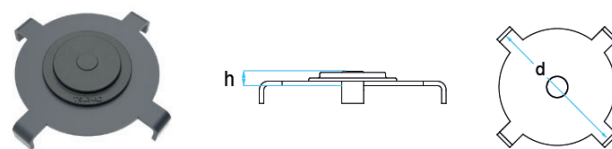
-

141 mm

11 mm

0,45 kg suitable on rubber pads with: $\varnothing = 120-140$ mm

suitable for:
Tesla Model 3

**6TLS3L****142,10 €**

a

d

h

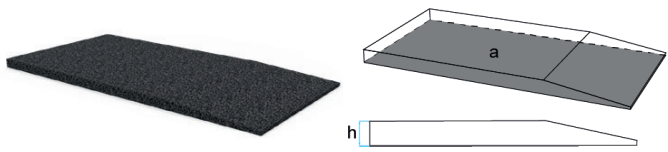
-

161 mm

11 mm

0,50 kg suitable on rubber pads with: $\varnothing = 140-160$ mm

suitable for:
Tesla Model 3

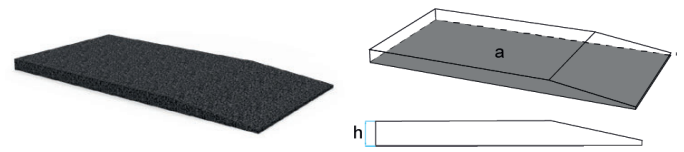


630180 / **131,10 €**

a	h
1000 x 500 mm	30

kg 13,60 kg

suitable for:
scissor lifts and low vehicles

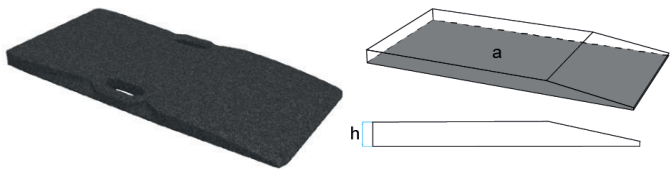


630181 / **164,80 €**

a	h
1000 x 500 mm	40 mm

kg 16,90 kg

suitable for:
scissor lifts and low vehicles



630182 / **200,80 €**

a	h
1000 x 480 mm	50

kg 23,20 kg

suitable for:
scissor lifts and low vehicles

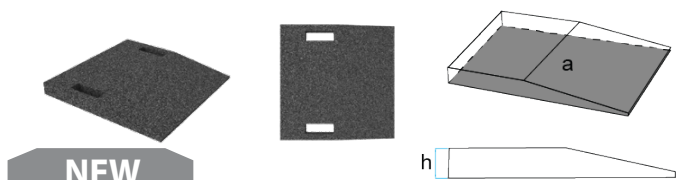


6GG2540 / **95,10 €**

a	h
500 x 500 mm	40 mm

kg 8,40 kg

suitable for:
2-post lifts



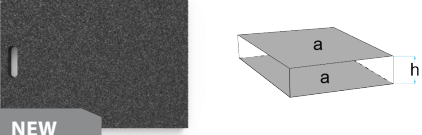
NEW

rt. Nr.: GG5X-S108H50 / **102,30 €**

a	h
500 x 500 mm	50 mm

kg 9,00 kg

suitable for: wheel alignment turntables



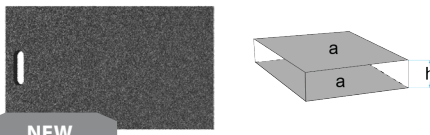
NEW

Art. Nr.: AP-KML.680.430.H50 151,10 €

a	h
680 x 430 mm	50 mm

kg 14,00 kg

suitable for: scissor lifts and 4-post lifts with wheel alignment



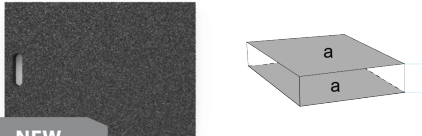
NEW

Art. Nr.: AP-TVS.680.400.H50 134,80 €

a	h
680 x 400 mm	50 mm

kg 14,00

suitable for:
scissor lifts and 4-post lifts with wheel alignment



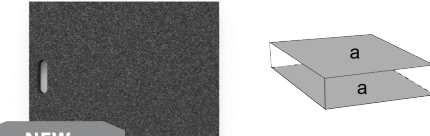
NEW

Art. Nr.: AP-OAF.645.620.H50 257,80 €

a	h
645 x 620 mm	50 mm

kg 20,00 kg

suitable for: scissor lifts and 4-post lifts with wheel alignment



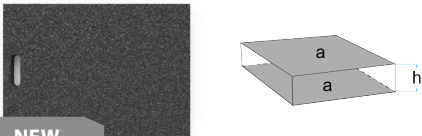
NEW

Art. Nr.: AP-UWQ.633.500.H50 130,30 €

a	h
633 x 500 mm	50 mm

kg 16,00 kg

suitable for: scissor lifts and 4-post lifts with wheel alignment



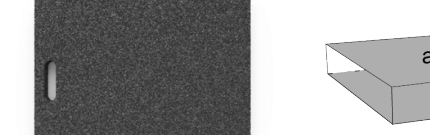
NEW

Art. Nr.: AP-LBR.620.365.H50 115,90 €

a	h
365 x 620 mm	50 mm

kg 11,00 kg

suitable for: scissor lifts and 4-post lifts with wheel alignment



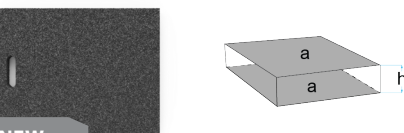
NEW

Art. Nr.: AP-JBP.600.465.H50 122,80 €

a	h
600 x 465 mm	50 mm

kg 14,00 kg


suitable for:
scissor lifts and 4-post lifts with wheel alignment




NEW

Art. Nr.: AP-HWR.570.450.H50 / **109,90 €**

a	h
570 x 450 mm	50 mm

 13,00 kg


suitable for:
scissor lifts and 4-post lifts with wheel alignment



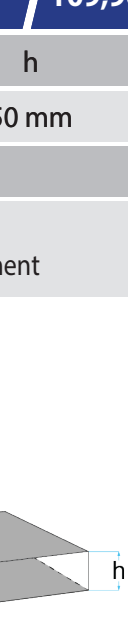
NEW

Art. Nr.: AP-CIR.530.470.H50 / **121,50 €**

a	h
530 x 470 mm	50 mm

 12,00 kg


suitable for:
scissor lifts and 4-post lifts with wheel alignment



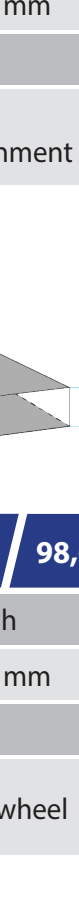
NEW

Art. Nr.: AP-ZNA.730.650.H50 / **288,50 €**

a	h
730 x 650 mm	50 mm

 23,00 kg


suitable for:
scissor lifts and 4-post lifts with wheel alignment




NEW

Art. Nr.: AP-PAE.600.200.H50-OG / **105,90 €**

a	h
600 x 200 mm	50 mm

 6,00 kg


suitable for:
HERMANN scissor lifts and 4-post lifts with wheel alignment




NEW

Art. Nr.: AP-CRA.600.100.H50-OG / **98,60 €**

a	h
600 x 100 mm	50 mm

 3,00 kg


suitable for:
HERMANN scissor lifts and 4-post lifts with wheel alignment



NEW

Art. Nr.: AP-TAM.600.050.H50-OG / **74,90 €**

a	h
600 x 50 mm	50 mm

 1,00 kg

suitable for:
HERMANN scissor lifts and 4-post lifts with wheel alignment



WERKPLAATSINRICHTING

OVERLANDER B.V.

Morseweg 2, 3899 BP Zeewolde

T +31 (0)36 52 19 200

E info@overlander.nl

WWW.OVERLANDER.NL